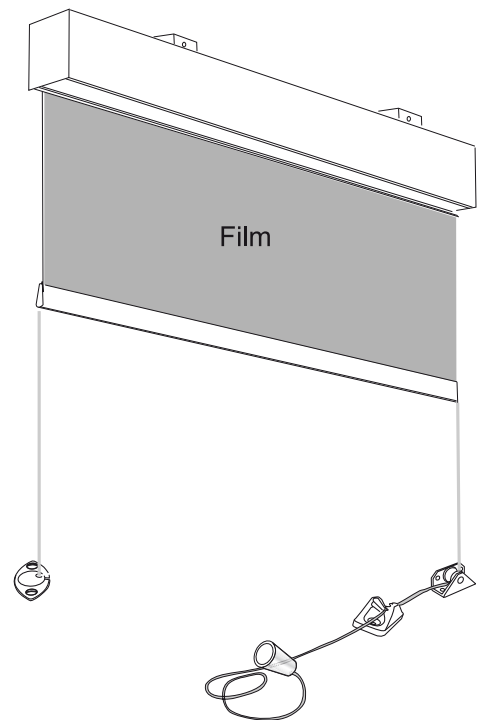


Assembly instructions

- Mark the position of the quick connectors and fix them as per Fig. 1.
- Pass the cord through the bottom rail as per Fig. 2.
- Mount the cassette as per Fig. 2. (2)
- Pull down the film and mark the position of the cord fixing and the cord guide as per Fig. 4. Fix these with screws.
- Fix the clam cleat in position as per Fig. 5.
- Let the film roll up tight to the cassette.
- Put the acorn on the cord
- Catch the cord close to the guide as per Fig. 6. (1)
- Make a double knot in this position as per Fig. 6. (2)
- Pull the acorn over the knot as per Fig. 6. (3)
- The acorn will touch the cord guide when the film is upper position.



Bergaflex 027/058/069
Roller spring-cord

Bergaflex AB Tel +46 42 16 52 00 Fax +46 42 16 51 50 E-post info@bergaflex.com www.bergaflex.com

Fig 1

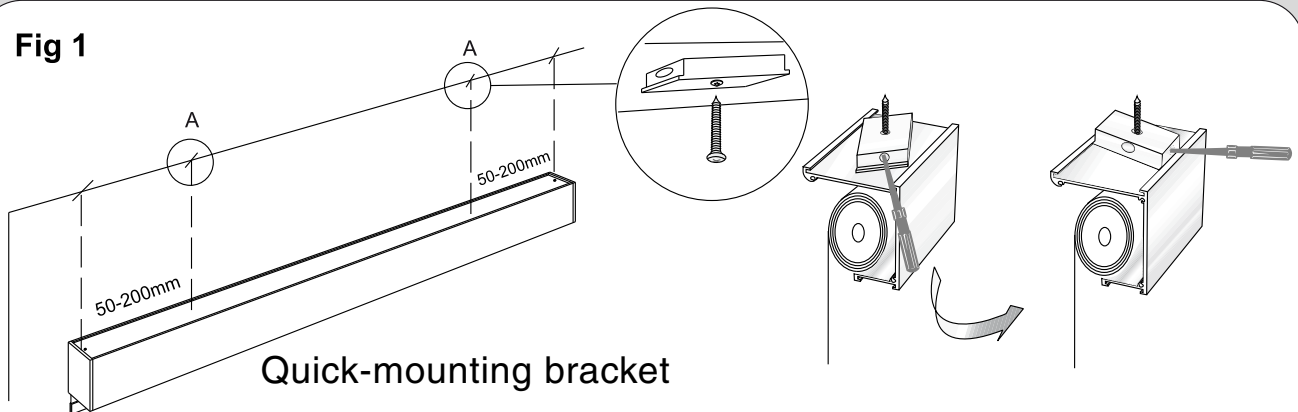


Fig 2

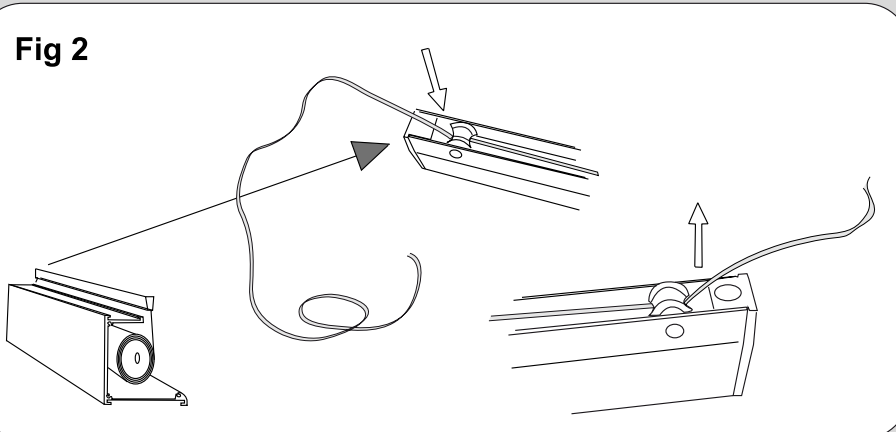


Fig 3

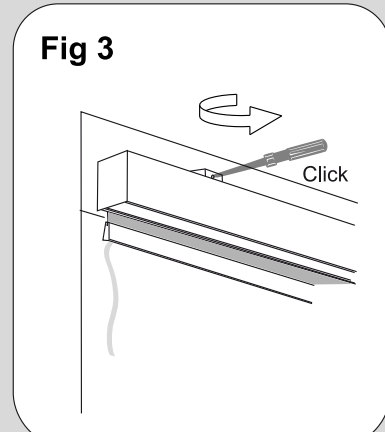


Fig 4

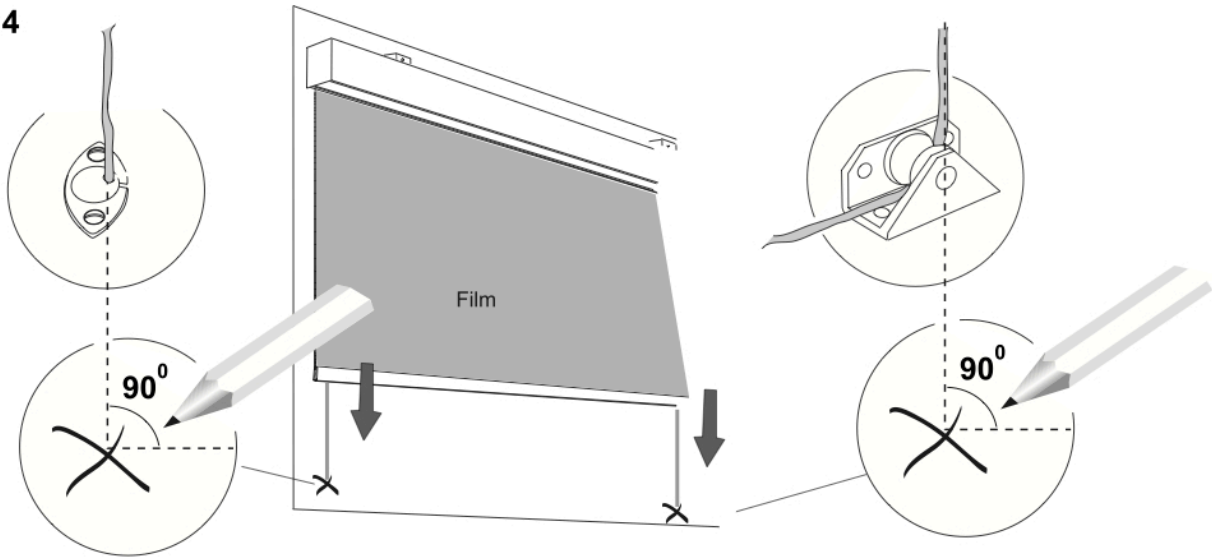


Fig 5

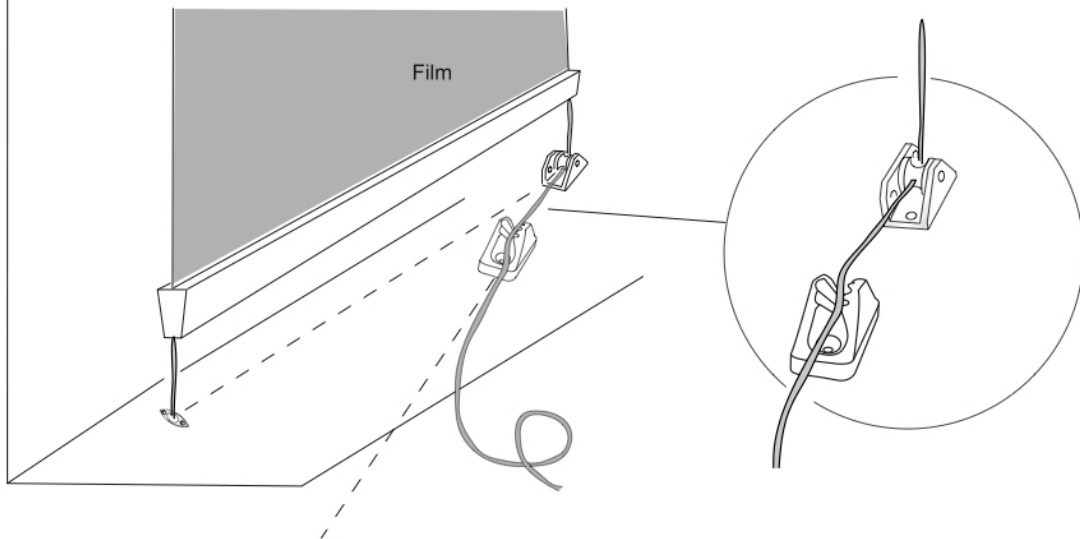


Fig 6

